

Project Note

AlpView: the joy of planning

Over 250 users at Alstom use the ALPRO software to design power plants. In this project, Zühlke ported the Data Management of this software to .NET while improving the existing version.

Task

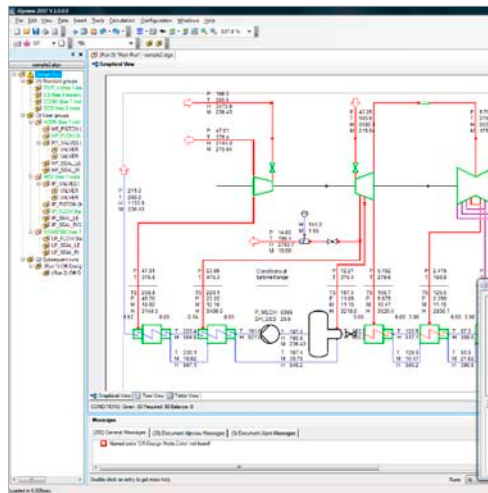
A power plant with an optimum design saves its operator a lot of money. ALPRO is the software the power plant engineers from Alstom use for this task. It graphically records the power plant layout and physical parameters and calculates the station's efficiency.

Alstom decided to have this software redeveloped based on the .NET technology, as the Data Management was outmoded and expensive to service. Zühlke was familiar with this section of the program and was therefore contracted to handle the migration. Zühlke engineers also further refined the existing software in line with customer specifications.

Implementation

The reason Zühlke was so familiar with AlpView, the CAD section of ALPRO, was that it had cared for this section of the software for years. Drawing on this technology and domain expertise, the team quickly created a .NET prototype of AlpView. In close cooperation with Alstom, the team then completely reprogrammed AlpView within a year. Alstom was able to configure changes in the new software itself. Before, it had to have outsiders program do all the adjustments.

In parallel with the new advance, Alstom and Zühlke were maintaining the existing software to handle a steady flow of requests for improvements from users unable to wait for the new version. The progress of work on both software versions was continually monitored. Alstom and Zühlke periodically made agreements on which task each of them would perform.



Technical Data

Process:
RUP

Language:
C#

Tools:
Visual Studio
Infragistics

Developer Express

Platform:
Windows

Customer benefits

- Zühlke efficiently created the application, drawing on fundamental elements with which it was already familiar.
- The customer benefited from the involvement of Zühlke's experts. They allowed the existing software to be further developed and the migration to proceed as planned.
- Zühlke offered the required expertise from a single source, providing everything from risk assessment to the finished software.

Zühlke Engineering AG
Wiesenstrasse 10a
8952 Schlieren (Zurich)
Switzerland

Phone +41 44 733 6611
Fax +41 44 733 6612
info@zuehlke.com
www.zuehlke.com